

Part No: HYD701

Hydra Flex Arm Installation

⚠ WARNING

Failure to read or follow the directions below may result in damage to the Hydra Flex Arm, a broken light, and/or damage to your tank, livestock, and nearby areas. Any damage resulting from failing to read or follow the directions will not be covered under warranty and C2 Development, Inc. will not be liable for any resulting damage.

For video tutorials about this installation and others, visit:

support.aquillumination.com



112-00148

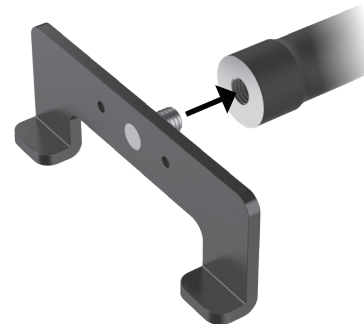
Warranty

C2 Development, Inc. shall warrant the Hydra Flex Arm and parts for 30 days from the date of purchase against manufacturing defects and workmanship only. This warranty is non-transferable and valid for the original purchaser only. For contact information please see:

<http://www.aquillumination.com/support/warranty.html>

Disclaimers

Use only materials supplied or approved by C2 Development, Inc. Failure to follow these instructions will void the Hydra Flex Arm warranty, any applicable light warranty, and C2 Development, Inc. will not be liable for any and all damage resulting from failure to follow the instructions.



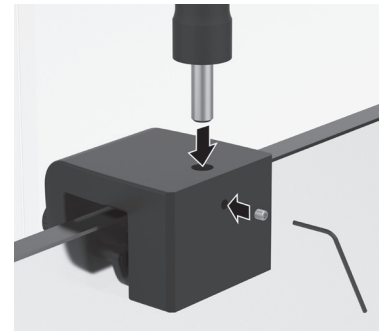
Step 1

1. Screw bracket onto flex arm.
2. Bend flex arm to desired position with the bracket in the correct orientation.



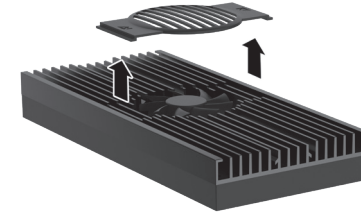
Step 2

1. Place clamp assembly onto tank and tighten securely.



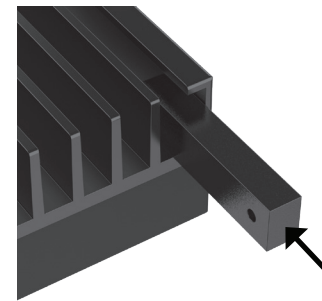
Step 3

1. Insert flex arm into arm mount hole and tighten set screw with the included 3/32 allen key.



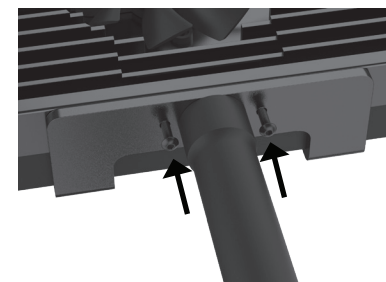
Step 4

1. Remove fan cover from your Hydra LED by pulling up.



Step 5

1. Slide the back plate into the heatsink as shown. Line up the holes with those in the middle of the heatsink.



Step 6

1. Insert the screws, making sure they insert into the back plate. Tighten.
2. Reinsert the fan cover by inserting one end into the slot and bending slightly into the other slot.