

Part No: HMS2ARM

Double Arm Mounting Kit Installation

⚠ WARNING

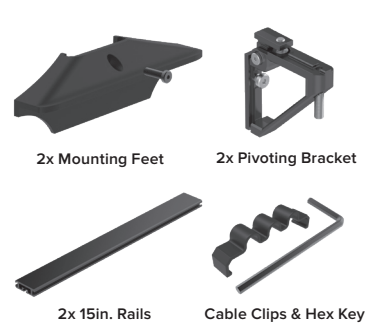
Failure to read or follow the directions below may result in damage to the HMS kit, a broken light, and/or damage to your tank, livestock, and nearby areas. Any damage resulting from failing to read or follow the directions will not be covered under warranty and C2 Development, Inc. will not be liable for any resulting damage.

HMS™ Installation Guide

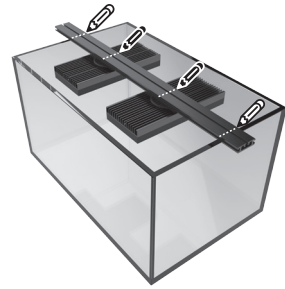
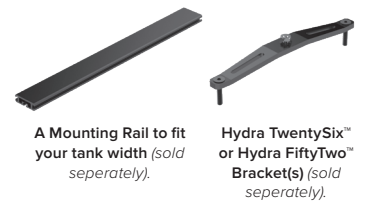


For video tutorials about this installation and others, visit: support.aquillumination.com

What's Included

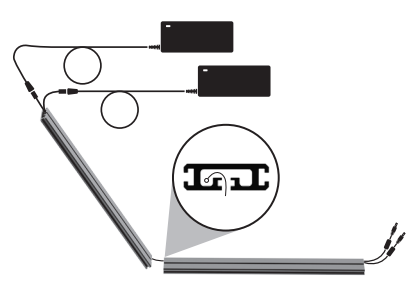


You'll Need:



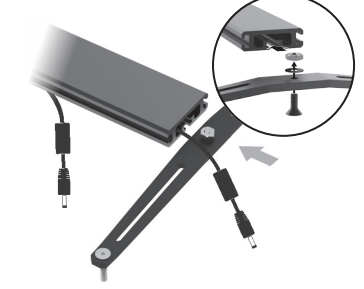
Step 1

1. Hold the **mounting rail** over the aquarium.
2. Use a pencil to mark the center point for each light placement.
3. Use a pencil to mark where the edges of the aquarium line up with the **mounting rail**. (this will be used for **vertical rail** placement.)



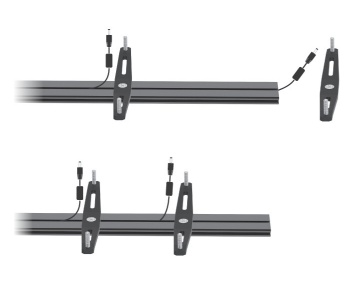
Step 2

1. Place the **mounting rail** and one of the **vertical rails** next to each other so the center channel is accessible.
2. Connect the extension cables included with the **Hydra FiftyTwo/ Hydra TwentySix brackets** to the power supply cables.
3. Run all light power cables through the channels on both bars.



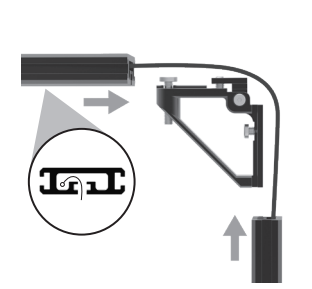
Step 3

1. Pull one of the power supply cables out of the center channel and locate it at the light placement mark closest to the **vertical rail**.
2. Slide on the first **Hydra FiftyTwo/ Hydra TwentySix bracket** to the same light placement mark and tighten screw.



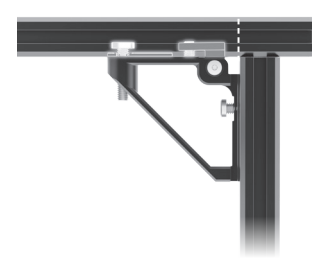
Step 4

Repeat previous step for all lights to be mounted.



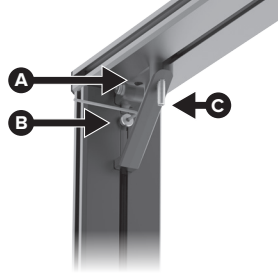
Step 5

1. Insert the **mounting rail** and **vertical rail** into the **pivoting bracket** as shown above. Make sure that the bracket is oriented to the **mounting rail**.



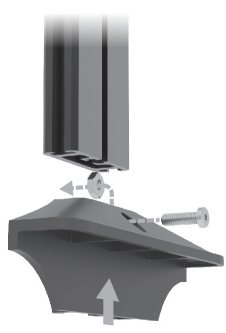
Step 6

1. With the **vertical rail** attached relocate the **vertical rail** to line up with the tank edge mark.
2. Repeat previous and current step for the second **vertical rail**.



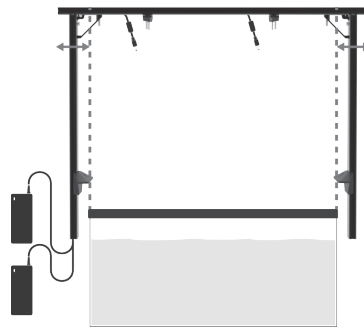
Step 7

1. Tighten bracket attachment screws A and B.
2. Adjust **mounting rail** tension with C.



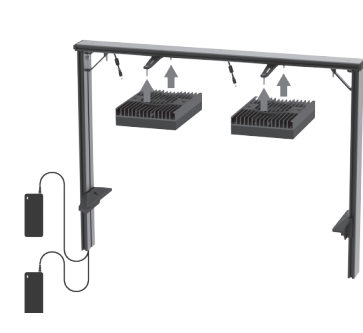
Step 8

1. Attach feet by inserting the nut into the center channel of the **vertical rail**.
2. Slide on the **mounting foot** and tightening down the screw as shown above.



Step 9

If necessary make fine adjustments to HMS assembly width with respect to tank edges.



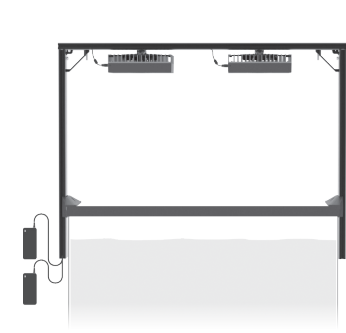
Step 10

Off of the tank, attach your Hydra(s) to the **Hydra FiftyTwo/ Hydra TwentySix brackets** and plug them into the previously routed cables.



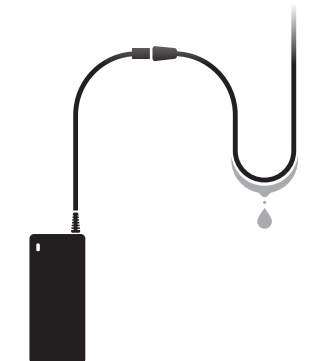
Step 11

Attach the two **end caps** to each side of the **mounting rail**.



Step 12

Place the HMS assembly on top of the tank and make sure that it is tight enough to stay secure.



Step 13

Create a drip loop before the extension connector by ensuring your power cable has enough length to droop down below the connector, then back up.

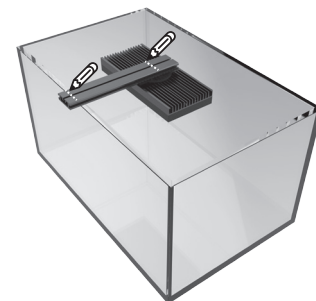
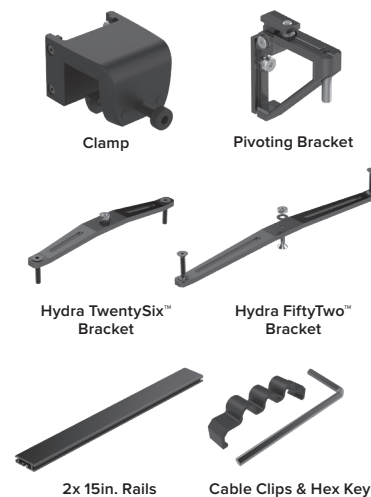
Single Arm Mounting Kit Installation

⚠ WARNING

Failure to read or follow the directions below may result in damage to the HMS kit, a broken light, and/or damage to your tank, livestock, and nearby areas. Any damage resulting from failing to read or follow the directions will not be covered under warranty and C2 Development, Inc. will not be liable for any resulting damage.

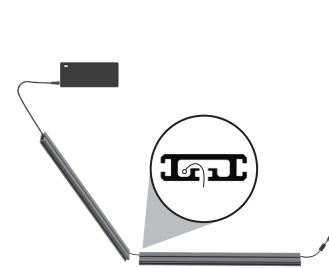
For video tutorials about this installation and others, visit:
support.aquailumination.com

What's Included



Step 1

1. Hold the **mounting rail** over the aquarium.
2. Use a pencil to mark the center point light placement.
3. Use a pencil to mark where the edge of the aquarium line up with the **mounting rail**. (this will be used for **vertical rail** placement.)



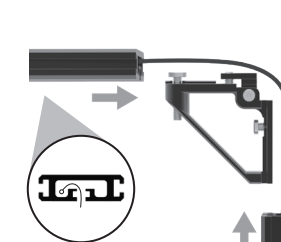
Step 2

1. Place the **mounting rail** and **vertical rail** next to each other so that the center channel is accessible.
2. Run the light power cable through the channels on both bars (see image above).



Step 3

1. Pull the power supply cable out of the center channel and locate it at the light placement mark closest to the **vertical rail**.
2. Slide on the **Hydra FiftyTwo/Hydra TwentySix bracket** to the same light placement mark and tighten screw.



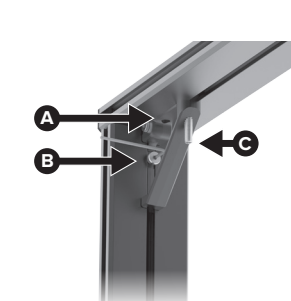
Step 4

Insert the **mounting rail** and **vertical rail** into the **pivoting bracket** as shown above. Make sure that the bracket is oriented to the **mounting rail**.



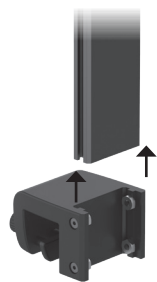
Step 5

With the **vertical rail** attached relocate the **mounting rail** to line up with the tank edge mark.



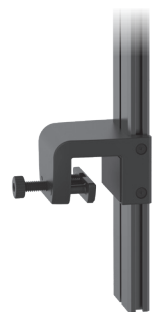
Step 6

1. Tighten bracket attachment screws A & B.
2. Adjust **Mounting Rail** tension with C.



Step 7

1. Make sure the nut and bolt are loosely screwed together on the **clamp** to allow the nut to fit into the rail side channel.
2. Slide the **clamp** onto the **vertical rail** as shown above.



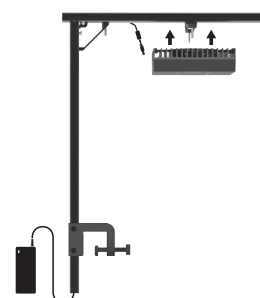
Step 8

1. Slide the **clamp** to the position that will reflect the desired height of the HMS to be mounted above the aquarium.
2. Use the included **Hex key** and tighten the screw on either side of the **clamp** to secure in place.



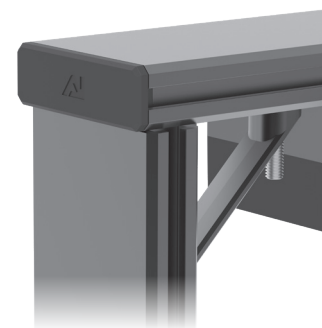
Step 9

If necessary, before mounting the light, make fine adjustments to HMS assembly width with respect to tank edges.



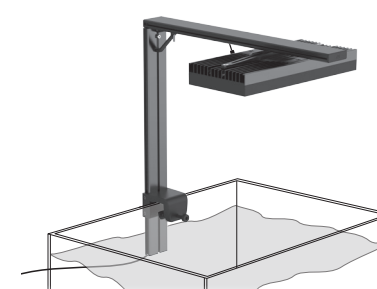
Step 10

Off of the tank, attach your Hydra to the **Hydra FiftyTwo/Hydra TwentySix bracket** and plug it into the previously routed cable.



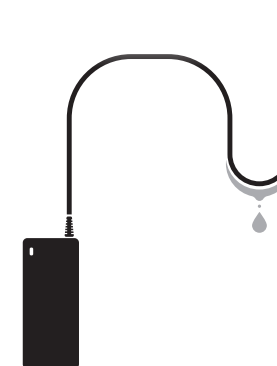
Step 11

Attach the two **End Caps** to each side of the **Mounting Rail**.



Step 12

Place the HMS assembly on top of the tank and tighten clamp thumbscrew to make sure it is tight enough to stay secure to the glass.



Step 13

Create a drip loop before the extension connector by ensuring your power cable has enough length to droop down below the connector, then back up.

Warranty

C2 Development, Inc. shall warrant the Hydra Mounting System (HMS™) and parts for 30 days from the date of purchase against manufacturing defects and workmanship only. This warranty is non-transferable and valid for the original purchaser only. For contact information please see:

<http://www.aquailumination.com/support/warranty.html>

Disclaimers

Use only materials supplied or approved by C2 Development, Inc. Failure to follow these instructions will void the HMS warranty, any applicable light warranty, and C2 Development, Inc. will not be liable for any and all damage resulting from failure to follow the instructions.