

# HMS™ Hanging Kit Installation Guide



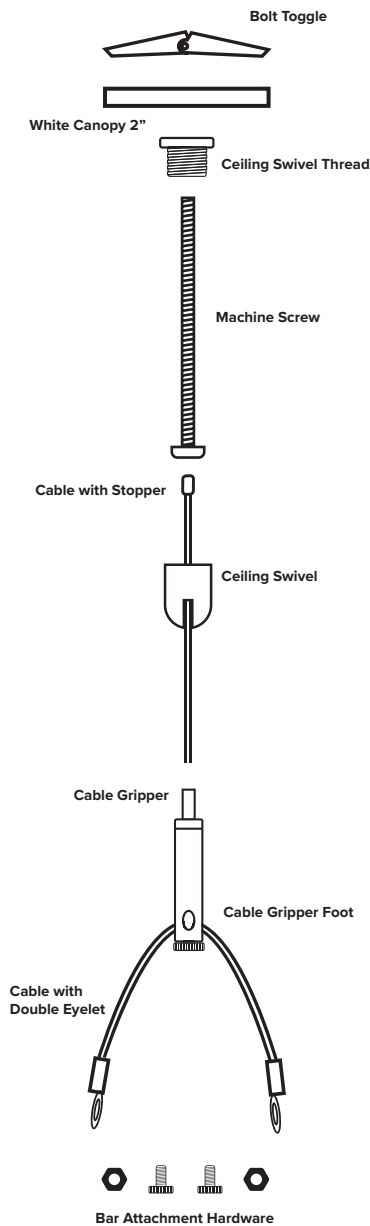
Part No: HMSHK

## HMS Hanging Kit Installation

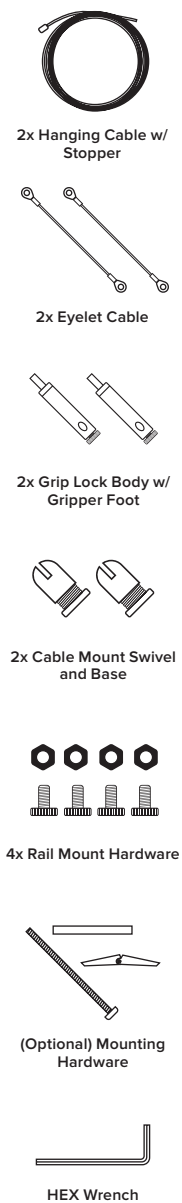
**WARNING:** Failure to read or follow the directions below may result in damage to the HMS kit, a broken light, and/or damage to your tank, livestock, and nearby areas. Any damage resulting from failing to read or follow the directions will not be covered under warranty and, C2 Development, Inc. will not be liable for any resulting damage. Brackets and Rails sold separately.

For video tutorials about this installation and others, visit:  
[support.aquailumination.com](http://support.aquailumination.com)

### Assembly Overview

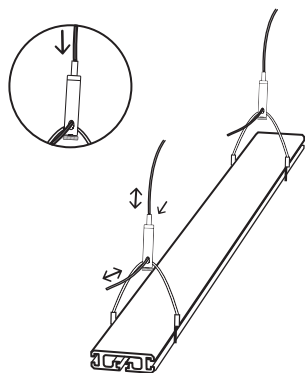


### What's Included



#### Step 1

- Attach the eyelet cable to the cable gripper body clamping it down with the cable gripper foot.

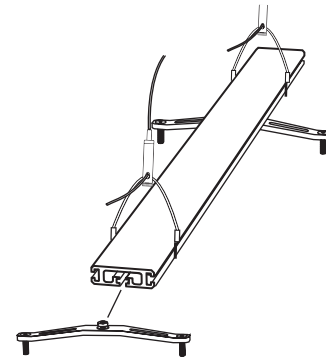


#### Step 6

- Push Hanging cable through grip lock body.
- Adjust the hanging height and pitch with grip lock assembly and trim the excess hanging cable using wire cutters.

#### Step 2

- Attach cable mount bases to mounting surface spaced slightly wider than the length of the rail and centered over the tank.
- Note: Choose mounting hardware that is appropriate for the material which you will be attaching the hanging kit. If using the included mounting hardware you must pre-drill a .625" hole in the mounting surface.

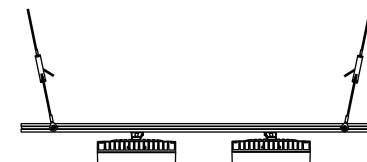


#### Step 8

- Install the intended mounting brackets to the rail by sliding the top nut on bracket assembly into the channel on the bottom of the light.
- If mounting more than two lights you must first route the cables through the center channel before installing the brackets.

#### Step 3

- Pull hanging cable through cable mount swivel cover.
- Screw cable mount cover with hanging cable onto the mounted cable mount base.



#### Step 9

- Attach the Lights to the Brackets and adjust for the desired mounting position over the tank.

#### Step 4

- Using the rail mount hardware, slide the hex nut into the side channel on the rail and tighten down the eyelet cable with the machine screw, and repeat for each side of both of the eyelet cables.

#### Step 5

- Adjust the spacing of the wire assembly to approx 3" in from the ends of the rail.

### Warranty

C2 Development, Inc. shall warrant the Hydra Mounting System Hanging Kit (HMSHK™) and parts for 30 days from the date of purchase against manufacturing defects and workmanship only. This warranty is non-transferable and valid for the original purchaser only. For contact information please see:

<http://www.aquailumination.com/support/warranty.html>

### Disclaimers

Use only materials supplied or approved by C2 Development, Inc. Failure to follow these instructions will void the HMSHK warranty, any applicable light warranty, and C2 Development, Inc. will not be liable for any and all damage resulting from failure to follow the instructions.